

In-Sight IS9000 Lens Cover Adapter

DESCRIPTION

- Suitable for direct mount on Cognex In-Sight 9000 and 7905 vision systems
- Black anodized aluminum including seal to comply with protection rating IP65
- Easy assembly (using existing M3 threads of the vision system housing)
- Form-fit design

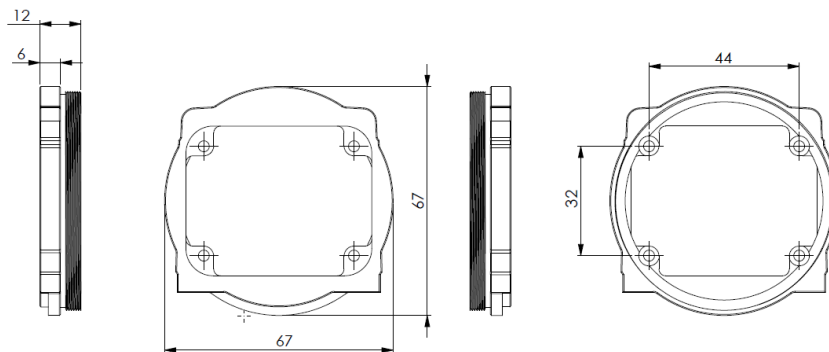
TECHNICAL DATA

Width:	ca. 67 mm
Height:	ca. 67 mm
Thickness:	6 mm
Material:	3.3547, AlMg4,5Mn (aluminum), black anodized
Thread:	M64 (applicable for standard K+P stainless steel lens cover)

PRODUCT IMAGES



DIMENSIONS



Krempien+Petersen

Qualitäts-Kontrollsysteme GmbH

Rungedamm 22
21035 Hamburg
Germany

+49 40 701034-0
+49 40 701034-40
info@kup-image.de

www.kup-image.de

